

PARTS LIST

REPLACEMENT PARTS STEERABLE SUSPENSION SYSTEMS ST AND PRIOR

LIT NO: H731

DATE: November 2013

REVISION: B

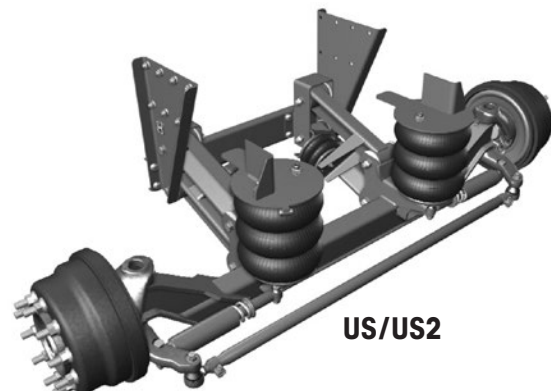
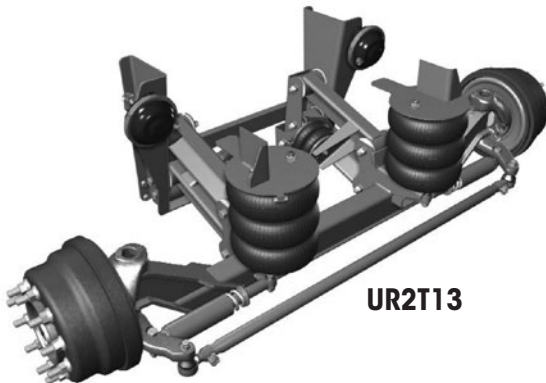
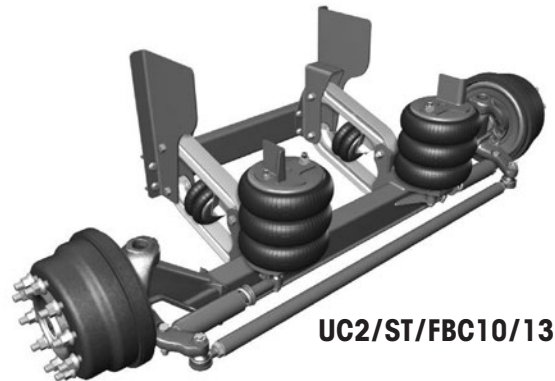


TABLE OF CONTENTS

TRUCK MOUNT

Suspension Explosion	3-4
Suspension Components.....	5-10

TRAILER MOUNT

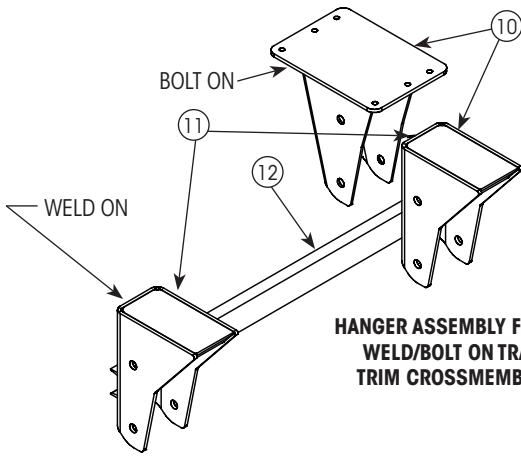
Trailer Specific Components	11-13
-----------------------------------	-------

AXLE ASSEMBLIES

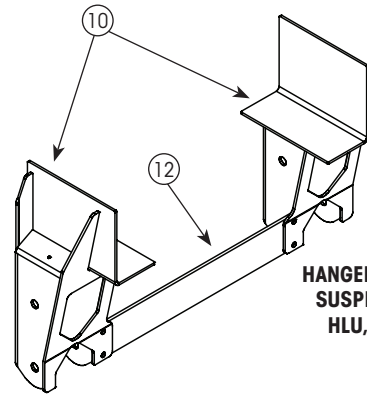
Axle Explosion.....	14
Axle Components.....	15-19



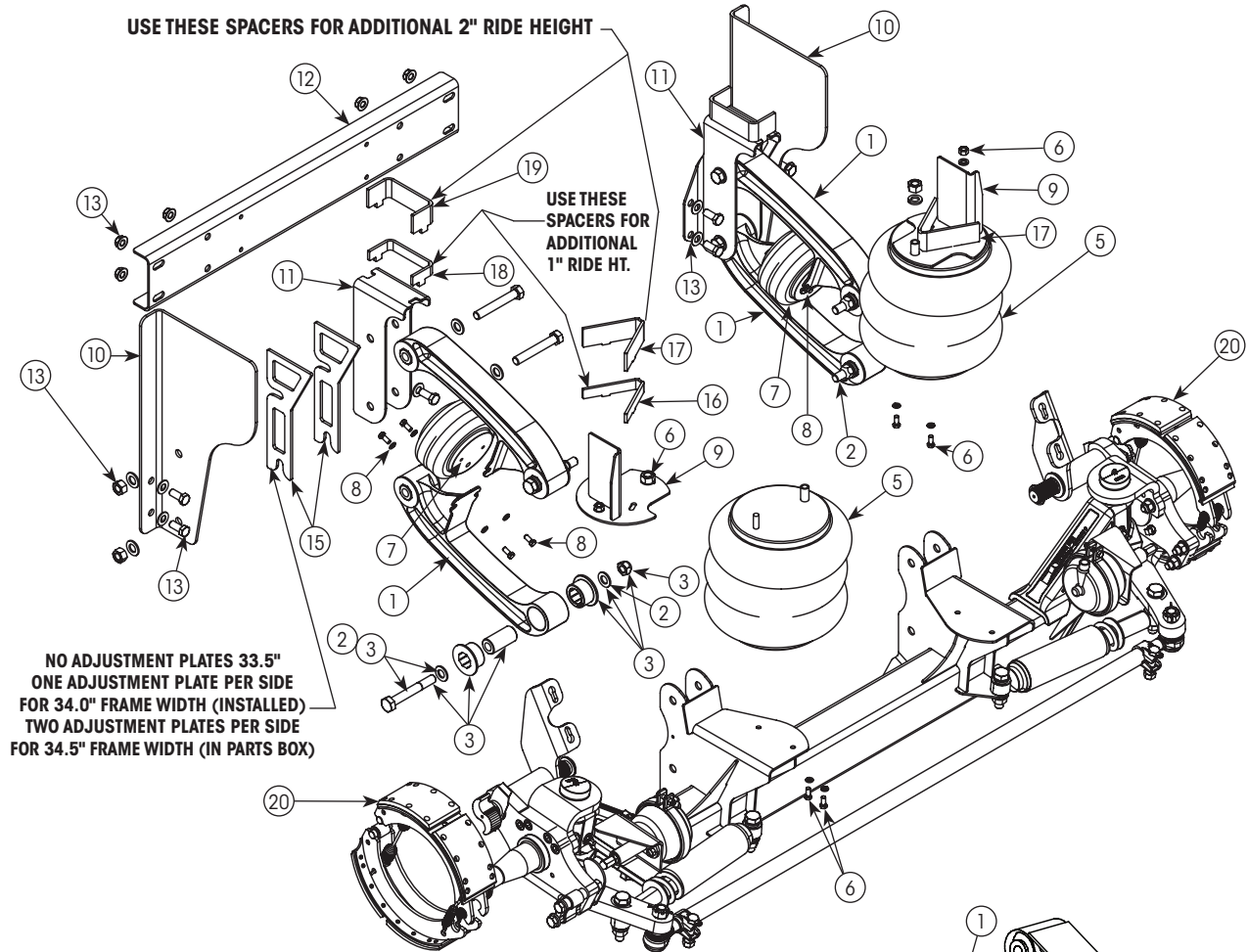
REPLACEMENT PARTS FOR AFTERMARKET SUSPENSIONS



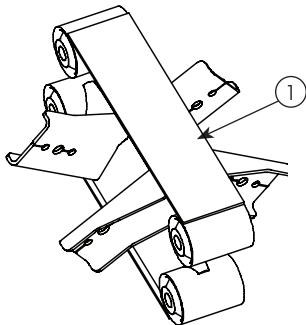
**HANGER ASSEMBLY FOR SUSPENSION
WELD/BOLT ON TRAILER MOUNT
TRIM CROSSMEMBER TO LENGTH**



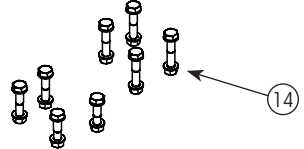
**HANGER ASSEMBLY FOR
SUSPENSION SERIES
HLU, PT13 & PT20**



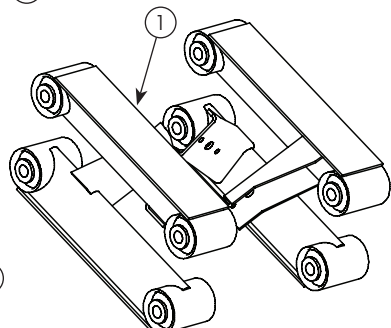
**NO ADJUSTMENT PLATES 33.5"
ONE ADJUSTMENT PLATE PER SIDE
FOR 34.0" FRAME WIDTH (INSTALLED)
TWO ADJUSTMENT PLATES PER SIDE
FOR 34.5" FRAME WIDTH (IN PARTS BOX)**



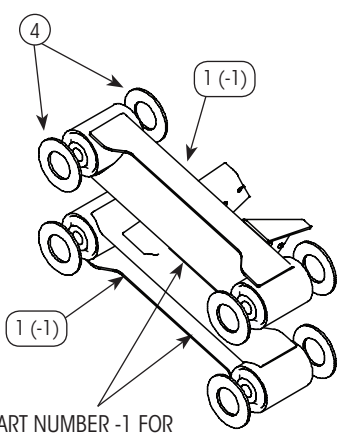
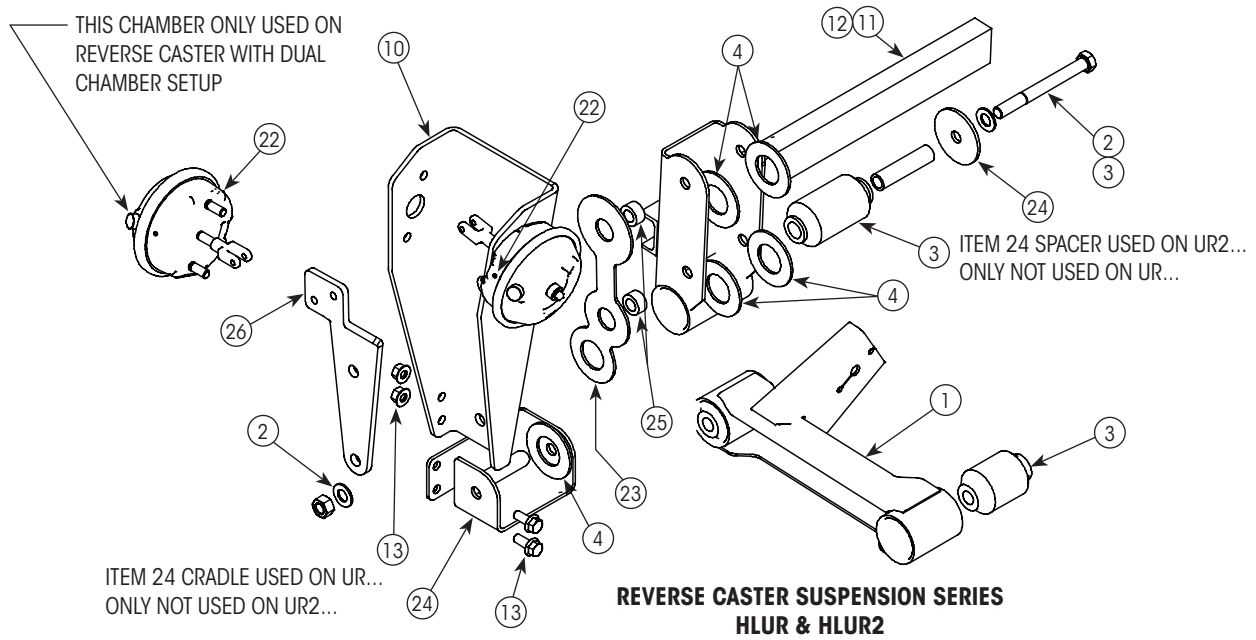
**HLP 20K
TRAILING ARM BEAMS**



**14 - AXLE SEAT BOLT KIT
SUSPENSION SERIES
HLP & PST**

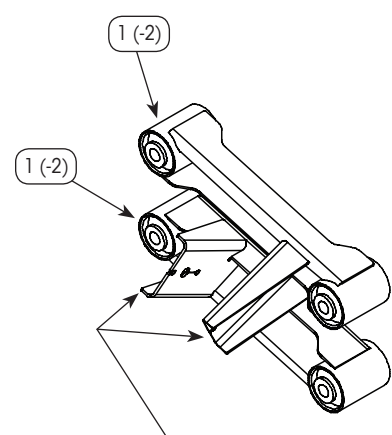


**FOR 13K SUSPENSION SERIES HLP, HLU, HLUW & HLUB
SUSPENSION PREFIX PT, PW, PB, UT, UW & UB
INBOARD AND OUTBOARD METHOD APPLY**

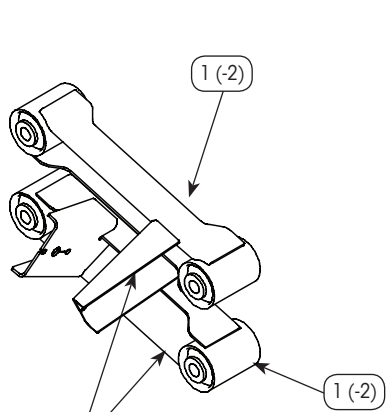


BEAM PART NUMBER -1 FOR INBOARD MOUNTED LIFT BAGS
RE: MODEL NUMBER (PRE-FIX) 13B-04B1C (DRIVER'S SIDE)

INBOARD CLARIFICATION

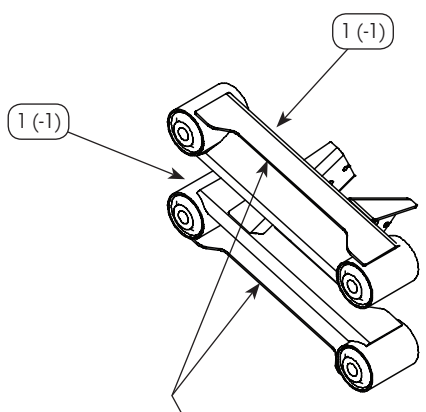


BEAM PART NUMBER -2 FOR INBOARD MOUNTED LIFT BAGS (PASSENGER'S SIDE)



BEAM PART NUMBER -2 FOR OUTBOARD MOUNTED LIFT BAGS
RE: MODEL (PRE-FIX) 13B-04B0C (DRIVER'S SIDE)

OUTBOARD CLARIFICATION



BEAM PART NUMBER -1 FOR OUTBOARD MOUNTED LIFT BAGS (PASSENGER'S SIDE)



REPLACEMENT PARTS FOR AFTERMARKET SUSPENSIONS

ITEM	DESCRIPTION	YEARS OF SERVICE	SUSPENSION SERIES	TRUCK PREFIX	QTY.	PART NO.
1	BEAM ASSEMBLY	1997 - 1997	HLU	UT13	2	R-D-14784-1/-2
		1997 - 1999	HLUS	UST13	2	R-002006-1/-2
		1999 - 2012	PST13 KIT ONLY	PST13	2	R-002006-1/-2
		1999 - 2000	HLUR	URT13	2	R-002968-1/-2
		1999 - 2005	HLUS2	US2T13	2	R-002006-1/-2
		2000 - 2013	HLUR2T	UR2T13	2	R-004556-1/-2
		2002 - 2002	UCL	UCLT13	4	R-004610
		2002 - 2007	UC2, UC3, UC4	UC2T13 (or 3, or 4)	4	R-005733
		2004 - 2006	FBC 8K	FBT08	4	R-004933*
		2007 - 2010	FBC 10K	FBT10	4	R-004933*
		2007 - 2010	ST 13K	STT13	4	R-005733
		1999 - 2012	PST13 KIT ONLY	PST13	2	R-002006-1/-2
		2008 - 2012	PST20	PST20	2	R-011374-1/-2
		1996 - 2008	PT20	PT20_	4	R-001332
2	PIVOT BOLT KIT	1997 - 1997	HLU	UT13	1	R-A-14488
		1997 - 1999	HLUS	UST13	1	R-A-14488
		1999 - 2012	PST13 KIT ONLY	PST13	1	R-A-14488
		1999 - 2000	HLUR	URT13	1	R-002551
		1999 - 2005	HLUS2	US2T13	1	R-A-14488
		2000 - 2013	HLUR2T	UR2T13	1	R-004139
		2002 - 2002	UCL	UCLT13	1	R-A-14488
		2002 - 2007	UC2, UC3, UC4	UC2T13 (or 3, or 4)	1	R-005009
		2004 - 2006	FBC 8K	FBT08	1	R-005009
		2007 - 2010	FBC 10K	FBT10	1	R-005009
		2007 - 2010	ST 13K	STT13	1	R-005009
		2007 - 2010	ST 13K ADJ	STT13	1	R-007659
		1999 - 2012	PST13 KIT ONLY	PST13	1	R-A-14488
		2008 - 2012	PST20	PST20	1	R-007040
2009 - 2012	PST20 ADJ	PST20	1	R-007961		
1996 - 2008	PT20	PT20_	1	R-A-14488		
3	BUSHING & PIVOT BOLT KIT	1997 - 1997	UT13	UT13	1	R-009560
		1997 - 1999	HLUS	UST13	1	R-009560
		1999 - 2012	PST13 KIT ONLY	PST13	1	R-009560
		1999 - 2000	HLUR	URT13	1	R-009560-1
		1999 - 2005	HLUS2	US2T13	1	R-009560
		2000 - 2013	HLUR2T	UR2T13	1	R-009560-1
		2002 - 2002	UCL	UCLT13	8	R-004783
		2002 - 2005	UC2, UC3, UC4	UC2T13 (or 3, or 4)	1	R-008839
		2004 - 2006	FBC 8K	FBT08	1	R-008839
		2007 - 2010	FBC 10K	FBT10	1	R-008839
		2007 - 2010	ST 13K	STT13	1	R-008839
		2007 - 2010	ST 13K ADJ	STT13	1	R-008839-1
		1999 - 2012	PST13 KIT ONLY	PST13	1	R-009560
		2008 - 2012	PST20	PST20	1	R-009560-2
2009 - 2012	PST20 ADJ	PST20	1	R-009560-3		
1996 - 2008	PT20	PT20_	1	R-009560		
4	WEAR PADS (INCLUDED W/ITEM 3)	1997 - 1997	UT13	UT13	1	R-B-14495Q16
		1997 - 1999	HLUS	UST13	1	R-B-14495Q16
		1999 - 2012	PST13 KIT ONLY	PST13	1	R-B-14495Q16
		1999 - 2000	HLUR	URT13	1	R-B-14495Q18
		1999 - 2005	HLUS2	US2T13	1	R-B-14495Q16
		2000 - 2013	HLUR2T	UR2T13	1	R-B-14495Q18
		2002 - 2002	UCL	UCLT13	1	R-B-14495Q16
		1996 - 2008	PT20	PT20_	1	R-B-14495Q16

ITEM 1* Aluminum casting; to upgrade to steel, replace all four beams with R-005733

NOTE: -1 Driver's Side, -2 Passenger's Side (Typical). Check page 3 for Inboard/Outboard clarification.

REPLACEMENT PARTS FOR AFTERMARKET SUSPENSIONS



TRUCK MOUNT

5 - 6 - 7

ITEM	DESCRIPTION	YEARS OF SERVICE	SUSPENSION SERIES	TRUCK PREFIX	QTY.	PART NO.
5	RIDE SPRING	1997 - 1997	HLU	UT13	2	R-B-14487
		1997 - 1999	HLUS	UST13	2	R-B-14487
		1999 - 2012	PST13 KIT ONLY	PST13	2	R-B-14487
		1999 - 2000	HLUR	URT13	2	R-B-14487
		1999 - 2005	HLUS2	US2T13	2	R-B-14487
		2000 - 2013	HLUR2T	UR2T13	2	R-B-14487
		2002 - 2002	UCL	UCLT13	2	R-B-14487
		2002 - 2005	UC2, UC3, UC4	UC2T13 (or 3, or 4)	2	R-B-14487
		2004 - 2006	FBC 8K	FBT08	2	R-B-14487
		2007 - 2010	FBC 10K	FBT10	2	R-B-14487
		2007 - 2010	ST 13K	STT13	2	R-B-14487
		1999 - 2012	PST13 KIT ONLY	PST13	2	R-B-14487
		2008 - 2012	PST20	PST20	2	R-001346
		1996 - 2008	PT20	PT20_	2	R-001346
6	RIDE SPRING BOLT KIT	1997 - 1997	HLU	UT13	2	R-007596
		1997 - 1999	HLUS	UST13	2	R-007596
		1999 - 2012	PST13 KIT ONLY	PST13	2	R-007596
		1999 - 2000	HLUR	URT13	2	R-007596
		1999 - 2005	HLUS2	US2T13	2	R-007596
		2000 - 2013	HLUR2T	UR2T13	2	R-007596
		2002 - 2002	UCL	UCLT13	2	R-007596
		2002 - 2005	UC2, UC3, UC4	UC2T13 (or 3, or 4)	2	R-007596
		2004 - 2006	FBC 8K	FBT08	2	R-007596
		2007 - 2010	FBC 10K	FBT10	2	R-007596
		2007 - 2010	ST 13K	STT13	2	R-007596
		1999 - 2012	PST13 KIT ONLY	PST13	2	R-007596
		2008 - 2012	PST20	PST20	2	R-001357
		1996 - 2008	PT20	PT20_	2	R-001357
7	LIFT SPRING	1997 - 1997	HLU	UT13	2	R-B-14486
		1997 - 1999	HLUS	UST13	2	R-B-14486
		1999 - 2012	PST13 KIT ONLY	PST13	2	R-B-14486
		1999 - 2000	HLUR	URT13	2	R-002878
		1999 - 2005	HLUS2	US2T13	2	R-B-14486
		2000 - 2013	HLUR2T	UR2T13	2	R-B-14486
		2002 - 2002	UCL	UCLT13	2	R-004647
		2002 - 2005	UC2, UC3, UC4	UC2T13 (or 3, or 4)	2	R-005079
		2004 - 2006	FBC 8K	FBT08	2	R-005079
		2007 - 2010	FBC 10K	FBT10	2	R-005079
		2007 - 2010	ST 13K	STT13	2	R-005079
		1999 - 2012	PST13 KIT ONLY	PST13	2	R-B-14486
		2008 - 2012	PST20	PST20	2	R-B-14486
		1996 - 2008	PT20	PT20_	2	R-001347



REPLACEMENT PARTS FOR AFTERMARKET SUSPENSIONS

TRUCK MOUNT

8 - 9 - 10

ITEM	DESCRIPTION	YEARS OF SERVICE	SUSPENSION SERIES	TRUCK PREFIX	QTY.	PART NO.
8	LIFT SPRING BOLT KIT	1997 - 1997	HLU	UT13	2	R-007634
		1997 - 1999	HLUS	UST13	2	R-007634
		1999 - 2012	PST13 KIT ONLY	PST13	2	R-007634
		1999 - 2000	HLUR	URT13	2	R-007634
		1999 - 2005	HLUS2	US2T13	2	R-007634
		2000 - 2013	HLUR2T	UR2T13	2	R-007634
		2002 - 2002	UCL	UCLT13	2	R-002404
		2002 - 2007	UC2, UC3, UC4	UC2T13 (or 3, or 4)	1	R-A-1134
		2004 - 2006	FBC 8K	FBT08	1	R-A-1134
		2007 - 2010	FBC 10K	FBT10	1	R-A-1134
		2007 - 2010	ST 13K	STT13	1	R-A-1134
		1999 - 2012	PST13 KIT ONLY	PST13	2	R-007634
		2008 - 2012	PST20	PST20	2	R-007634
		1996 - 2008	PT20	PT20_	2	R-001358
9	UPPER AIR SPRING PLATE	1997 - 1997	HLU	UT13	1	R-C-14489-1/-2
		1997 - 1999	HLUS	UST13	1	R-C-14489-1/-2
		1999 - 2012	PST13 KIT ONLY	PST13		R-C-14489-1/-2
		1999 - 2000	HLUR	URT13	1	R-C-14489-1/-2
		1999 - 2005	HLUS2	US2T13	1	R-C-14489-1/-2
		2000 - 2013	HLUR2T	UR2T13	1	R-004206-1/-2
		2002 - 2002	UCL	UCLT13	1	R-004611-1/-2
		2002 - 2007	UC2, UC3, UC4	UC2T13 (or 3, or 4)	1	R-005065-1/-2
		2004 - 2006	FBC 8K	FBT08	1	R-005065-1/-2
		2007 - 2010	FBC 10K	FBT10	1	R-005065-1/-2
		2007 - 2010	ST 13K	STT13	1	R-005065-1/-2
		1999 - 2012	PST13 KIT ONLY	PST13	1	R-C-14489-1/-2
		2008 - 2012	PST20	PST20	1	R-007938-1/-2
		2009 - 2012	PST20 ADJ	PST20	1	R-008337-1/-2
1996 - 2008	PT20	PT20_	1	R-C-14489-1/-2		
10	HANGER SIDE RAIL	1997 - 1997	HLU	UT13	1	R-D-14786-1/-2
		1997 - 1999	HLUS	UST13	1	R-002336-1/-2
		1999 - 2012	PST13 KIT ONLY	PST13	1	R-002336-1/-2
		1999 - 2000	HLUR	URT13	1	R-002668-1/-2
		1999 - 2005	HLUS2	US2T13	1	R-002336-1/-2
		2000 - 2013	HLUR2T	UR2T13	1	R-003516-1/-2
		2002 - 2002	UCL	UCLT13	1	R-004615-1/-2
		2002 - 2007	UC2, UC3, UC4	UC2T13 (or 3, or 4)	1	R-004926-1/-2
		2006 - 2007	UC PRE-PLUMBED	UC...P	1	R-005765-1/-2
		2004 - 2006	FBC 8K	FBT08	1	R-004926-1/-2
		2007 - 2010	FBC 10K	FBT10	1	R-004926-1/-2
		2007 - 2010	ST 13K	STT13	1	R-004926-1/-2
		2007 - 2010	ST PRE-PLUMBED	ST.....P	2	R-005765-1/-2
		1999 - 2012	PST13 KIT ONLY	PST13	1	R-002336-1/-2
		2008 - 2012	PST20	PST20	1	R-007044-1/-2
		1996 - 2008	PT20	PT20_	1	R-D-14786-1/-2

NOTE: -1 Driver's Side, -2 Passenger's Side (Typical). Check page 3 for Inboard/Outboard clarification.

REPLACEMENT PARTS FOR AFTERMARKET SUSPENSIONS



TRUCK MOUNT

11 - 12 - 13 - 14 - 15

ITEM	DESCRIPTION	YEARS OF SERVICE	SUSPENSION SERIES	TRUCK PREFIX	QTY.	PART NO.
11	BUSHING SADDLE	1997 - 1997	HLU	UT13	X	N/A
		1997 - 1999	HLUS	UST13	1	R-002679-1/-2
		1999 - 2012	PST13 KIT ONLY	PST13	1	R-002679-1/-2
		1999 - 2000	HLUR	URT13	1	R-002657-1/-2/-3 WELDMENT*
		1999 - 2005	HLUS2	US2T13	1	R-002679-1/-2
		2000 - 2013	HLUR2T	UR2T13	1	R-003577-1/-2/-3 WELDMENT*
		2002 - 2002	UCL	UCLT13	1	R-002679-1/-2
		2002 - 2007	UC2, UC3, UC4	UC2T13 (or 3, or 4)	1	R-004925-1/-2
		2004 - 2006	FBC 8K	FBT08	1	R-004925-1/-2
		2007 - 2010	FBC 10K	FBT10	1	R-004925-1/-2
		2007 - 2010	ST 13K	STT13	1	R-004925-1/-2
		1999 - 2012	PST13 KIT ONLY	PST13	1	R-002679-1/-2
		2008 - 2012	PST20	PST20	1	R-007045-1/-2
1996 - 2008	PT20	PT20_	X	N/A		
12	CROSS MEMBER	1997 - 1997	HLU	UT13	1	R-B-14789
		1997 - 1999	HLUS	UST13	1	R-002067-1/-2/-3
		1999 - 2012	PST13 KIT ONLY	PST13	1	R-002067-1/-2/-3
		1999 - 2000	HLUR	URT13	1	R-002948-38
		1999 - 2005	HLUS2	US2T13	1	R-002067-1/-2/-3
		2000 - 2013	HLUR2T	UR2T13	1	R-002948-38
		2002 - 2002	UCL	UCLT13	1	R-004616-1/-2/-3
		2002 - 2007	UC2, UC3, UC4	UC2T13 (or 3, or 4)	1	004930-1/-2/-3
		2004 - 2010	FBC 8K/10K	FBT08	1	R-005662-1/-2/-3
		2007 - 2010	FBC 10K ADJ	FBT10	1	R-007419**
		2007 - 2010	ST 13K	STT13	1	004930-1/-2/-3
		2007 - 2010	ST 13K ADJ	STT13	1	R-007419**
		1999 - 2012	PST13 KIT ONLY	PST13	1	R-002067-1/-2/-3
		2008 - 2012	PST20	PST20	1	R-007041-1/-2/-3/-4
		2009 - 2012	PST20 ADJ	PST20	1	R-007944
1996 - 2008	PT20	PT20_	1	R-B-14789		
13	CROSS MEMBER OR CRADLE BOLT KIT	1997 - 1997	HLU	UT13	1	R-A-14570
		1997 - 1999	HLUS	UST13	1	R-007677
		1999 - 2012	PST13 KIT ONLY	PST13	1	R-007677
		1999 - 2000	HLUR	URT13	1	R-007677
		1999 - 2005	HLUS2	US2T13	1	R-007677
		2002 - 2002	UCL	UCLT13	1	R-007677
		2002 - 2007	UC2, UC3, UC4	UC2T13 (or 3, or 4)	1	R-007677
		2004 - 2006	FBC 8K	FBT08	1	R-007677
		2007 - 2010	FBC 10K	FBT10	1	R-007677
		2007 - 2010	ST 13K	STT13	1	R-007677
		1999 - 2012	PST13 KIT ONLY	PST13	1	R-009046
		2008 - 2012	PST20	PST20	1	R-009046
		1996 - 2008	PT20	PT20_	1	R-A-14570
14	AXLE BOLT KIT (I-BEAM AXLES ONLY)	1999 - 2012	PST13 KIT ONLY	PST13	1	R-A-14608
		2008 - 2012	PST20	PST20	1	R-007030
		1996 - 2008	PT20	PT20_	1	R-A-14608
15	FRAME WIDTH SPACERS	2007 - 2010	FBC 10K ADJ	FBT10	2	R-007420
		2007 - 2010	ST 13K ADJ	STT13	2	R-007420
		2009 - 2012	PST20 ADJ	PST20	2	R-008299

ITEM 11* These parts are complete weldment, including both saddles and a crossmember, as one part designated by frame width.

ITEM 12** Part has slotted holes to allow for 33.5" - 34.5" frame width. (-1/-2/-3/-4 = Frame Width. -1 = 33.5", -2 = 34.0", -3 = 34.5", -4 = 35.0")

NOTE: -1 Driver's Side, -2 Passenger's Side (Typical). Check page 3 for Inboard/Outboard clarification.



REPLACEMENT PARTS FOR AFTERMARKET SUSPENSIONS

TRUCK MOUNT

16 - 17 - 18 - 19 - 20 - 21

ITEM	DESCRIPTION	YEARS OF SERVICE	SUSPENSION SERIES	TRUCK PREFIX	QTY.	PART NO.
16	1" RIDE HEIGHT SPRING SPACER	2007 - 2010	FBC 10K ADJ	FBT10	2	R-007425-1
		2007 - 2010	ST 13K ADJ	STT13	2	R-007425-1
		2009 - 2012	PST20 ADJ	PST20	2	R-008340-1
17	2" RIDE HEIGHT SPRING SPACER	2007 - 2010	FBC 10K ADJ	FBT10	2	R-007425-2
		2007 - 2010	ST 13K ADJ	STT13	2	R-007425-2
		2009 - 2012	PST20 ADJ	PST20	2	R-008340-2
18	1" RIDE HEIGHT SADDLE SPACER	2007 - 2010	FBC 10K ADJ	FBT10	2	R-007417-1
		2007 - 2010	ST 13K ADJ	STT13	2	R-007417-1
		2009 - 2012	PST20 ADJ	PST20	2	R-008154-1
19	2" RIDE HEIGHT SADDLE SPACER	2007 - 2010	FBC 10K ADJ	FBT10	2	R-007417-2
		2007 - 2010	ST 13K ADJ	STT13	2	R-007417-2
		2009 - 2012	PST20 ADJ	PST20	2	R-008154-2
20	QC BRAKE SHOE KIT	1997 - 1997	HLU	UT13	2	R-001765
		1997 - 1999	HLUS	UST13	2	R-001765
		1999 - 2000	HLUR	URT13	2	R-002343
		1999 - 2005	HLUS2	US2T13	2	R-003275
		2000 - 2013	HLUR2T	UR2T13	2	R-003275
		2002 - 2002	UCL	UCLT13	2	R-003275
		2002 - 2007	UC2 UC3, UC4	UC2T13 (or 3, or 4)	2	R-003275
		2004 - 2006	FBC 8K	FBT08	2	R-006097
		2007 - 2010	FBC 10K	FBT10	2	R-006097
		2007 - 2010	ST 13K	STT13	2	R-007442-A (shoes & springs only)
		2007 - 2010	ST 13K	STT13	2	R-007442-B (shoes, springs, pins & hardware)
		2008 - 2012	PST20	PST20	2	R-002379
		2009 - 2012	PST20 ADJ	PST20	2	R-002379
21	COMPLETE BRAKE ASSEMBLY	1997 - 1997	HLU	UT13	X	* SEE NOTE
		1997 - 1999	HLUS	UST13	X	* SEE NOTE
		1999 - 2000	HLUR	URT13	X	* SEE NOTE
		1999 - 2005	HLUS2	US2T13	1	R-003274-1/-2
		2000 - 2012	HLUR2T	UCLT13	1	R-003274-1/-2
		2002 - 2002	UCL	UCLT13	1	R-003274-1/-2
		2002 - 2007	UC2 UC3, UC4	UC2T13 (or 3, or 4)	1	R-003274-1/-2
		2004 - 2006	FBC 8K	FBT08	1	R-005896-1/-2
		2007 - 2010	FBC 10K	FBT10	1	R-005896-1/-2
		2008 - 2012	PST20	PST20	1	R-004043-1/-2
2009 - 2012	PST20 ADJ	PST20	1	R-004043-1/-2		

ITEM 21* Old brake assembly with 10 spline s-cam is obsolete. New brake R-003274-1/-2 same form fit and function with the exception of a 28 spline s-cam. Can use R-003274-1/-2 if upgrade slacks to 28-spline.

NOTE: -1 Driver's Side, -2 Passenger's Side (Typical). Check page 3 for Inboard/Outboard clarification.

REPLACEMENT PARTS FOR AFTERMARKET SUSPENSIONS



ITEM	DESCRIPTION	YEARS OF SERVICE	SUSPENSION SERIES	TRUCK PREFIX	QTY.	PART NO.
REVERSE CASTER COMPONENTS						
22	CASTER CHAMBER	1999 - 2000	HLUR	URT13	4	R-002500
		2000 - 2013	HLUR2T	UR2T13	2	R-003513
23	TRI WEAR PAD	1999 - 2000	HLUR	URT13	2	R-002673
		2000 - 2013	HLUR2T	UR2T13	2	R-002673
24	CRADLE OR RETAINING PLATE	1999 - 2000	HLUR	URT13	1	R-002432-1/-2
		2000 - 2013	HLUR2T	UR2T13	2	R-003595
25	SPACER	1999 - 2000	HLUR	URT13	4	R-002672
		2000 - 2013	HLUR2T	UR2T13	4	R-003510
26	SHIFT ARM	1999 - 2000	HLUR	URT13	1	R-002435-1/-2
		2000 - 2013	HLUR2T	UR2T13	2	R-003527

NOTE: -1 Driver's Side, -2 Passenger's Side (Typical). Check page 3 for Inboard/Outboard clarification.

TRUCK MOUNT
22 - 23 - 24 - 25 - 26



REPLACEMENT PARTS FOR AFTERMARKET SUSPENSIONS

ITEM	DESCRIPTION	YEARS OF SERVICE	SUSPENSION SERIES	TRAILER PREFIX	QTY.	PART NO.
1	BEAM ASSEMBLY	1997 - 1997	HLUW	UW13	2	R-D-14784-1/-2
		1997 - 1997	HLUB	UB13	2	R-D-14784-1/-2
		1999 - 2005	HLUS2W	US2W13	2	R-002006-1/-2
		1999 - 2005	HLUS2B	US2B13	2	R-002006-1/-2
		2002 - 2005	UC2W	UC2W	4	R-005733
		2002 - 2005	UC2B	UC2B	4	R-005733
		2007	STW	STW13	4	R-005733
		2007	STB	STB13	4	R-005733
2	PIVOT BOLT KIT	1997 - 1997	HLUW	UW13	1	R-A-14488
		1997 - 1997	HLUB	UB13	1	R-A-14488
		1999 - 2005	HLUS2W	US2W13	1	R-A-14488
		1999 - 2005	HLUS2B	US2B13	1	R-A-14488
		2002 - 2005	UC2W	UC2W	1	R-005009
		2002 - 2005	UC2B	UC2B	1	R-005009
		2007	STW	STW13	1	R-005009
		2007	STB	STB13	1	R-005009
3	BUSHING AND PIVOT BOLT KIT	1997 - 1997	HLUW	UW13	1	R-009560
		1997 - 1997	HLUB	UB13	1	R-009560
		1999 - 2005	HLUS2W	US2W13	1	R-009560
		1999 - 2005	HLUS2B	US2B13	1	R-009560
		2002 - 2005	UC2W	UC2W	1	R-008839
		2002 - 2005	UC2B	UC2B	1	R-008839
		2007	STW	STW13	1	R-008839
		2007	STB	STB13	1	R-008839
4	WEAR PADS INC. W/PB KIT	1997 - 1997	HLUW	UW13	1	R-B-14495Q16
		1997 - 1997	HLUB	UB13	1	R-B-14495Q16
		1999 - 2005	HLUS2W	US2W13	1	R-B-14495Q16
		1999 - 2005	HLUS2B	US2B13	1	R-B-14495Q16
5	RIDE SPRING	1997 - 1997	HLUW	UW13	2	R-001015
		1997 - 1997	HLUB	UB13	2	R-001015
		1999 - 2005	HLUS2W	US2W13	2	R-001015
		1999 - 2005	HLUS2B	US2B13	2	R-001015
		2002 - 2005	UC2W	UC2W	2	R-001015
		2002 - 2005	UC2B	UC2B	2	R-001015
		2007	STW	STW13	2	R-001015
		2007	STB	STB13	2	R-001015
6	RIDE SPRING BOLT KIT	1997 - 1997	HLUW	UW13	2	R-007596
		1997 - 1997	HLUB	UB13	2	R-007596
		1999 - 2005	HLUS2W	US2W13	2	R-A-13075
		1999 - 2005	HLUS2B	US2B13	2	R-A-13075
		2002 - 2005	UC2W	UC2W	2	R-A-13075
		2002 - 2005	UC2B	UC2B	2	R-A-13075
		2007	STW	STW13	2	R-A-13075
		2007	STB	STB13	2	R-A-13075

TRAILER MOUNT

1 - 2 - 3 - 4 - 5 - 6

NOTE: -1 Driver's Side, -2 Passenger's Side (Typical). Check page 3 for Inboard/Outboard clarification.

REPLACEMENT PARTS FOR AFTERMARKET SUSPENSIONS



ITEM	DESCRIPTION	YEARS OF SERVICE	BEAM CENTER DIMENSIONS	SUSPENSION SERIES	TRAILER PREFIX	QTY.	PART NO.
7	LIFT SPRING	1997 - 1997		HLUW	UW13	2	R-B-14487
		1997 - 1997		HLUB	UB13	2	R-B-14487
		1999 - 2005		HLUS2W	US2W13	2	R-B-14486
		1999 - 2005		HLUS2B	US2B13	2	R-B-14486
		2002 - 2005		UC2W	UC2W	2	R-005079
		2002 - 2005		UC2B	UC2B	2	R-005079
		2007		STW	STW13	2	R-005079
		2007		STB	STB13	2	R-005079
8	LIFT SPRING BOLT KIT	1997 - 1997		HLUW	UW13	2	R-007634
		1997 - 1997		HLUB	UB13	2	R-007634
		1999 - 2005		HLUS2W	US2W13	2	R-007634
		1999 - 2005		HLUS2B	US2B13	2	R-007634
		2002 - 2005		UC2W	UC2W	1	R-A-1134
		2002 - 2005		UC2B	UC2B	1	R-A-1134
		2007		STW	STW13	1	R-A-1134
		2007		STB	STB13	1	R-A-1134
9	UPPER AIR SPRING PLATE	1997 - 1997		HLUW	UW13	1	R-001014-1/-2
		1997 - 1997		HLUB	UB13	1	R-001014-1/-2
		1999 - 2005		HLUS2W	US2W13	1	R-001014-1/-2
		1999 - 2005		HLUS2B	US2B13	1	R-001014-1/-2
		2002 - 2005		UC2W	UC2W	2	R-005168
		2002 - 2005		UC2B	UC2B	2	R-005168
		2007		STW	STW13	2	R-005168
		2007		STB	STB13	2	R-005168
10	FRAME BRACKET WELDMENT (2 SADDLES AND CROSSMEMBER)	2002 - 2005	38"	UC2W	UC2W	1	R-005021
		2002 - 2005	38"	UC2B	UC2B	1	R-005503
			34.5"	UC2B	UC2B	1	R-005604
		2007	38"	STW	STW13	1	R-005021
		2007	35"	STW	STW13	1	R-005021-4
		2007	38"	STB	STB13	1	R-005503
	34.5"	STB	STB13	1	R-005604		
11	BUSHING SADDLE	1997 - 1997		HLUW	UW13	2	R-001306
		1997 - 1997		HLUB	UB13	1	R-001013-1/-2
		1999 - 2005		HLUS2W	US2W13	2	R-001306
		1999 - 2005		HLUS2B	US2B13	1	R-001013-1/-2
		2002 - 2005		UC2W	UC2W	X	R-005020
		2002 - 2005		UC2B	UC2B	X	R-005502-1/-2
		2007		STW	STW13	X	R-005020
		2007		STB	STB13	X	R-005502-1/-2

NOTE: -1 Driver's Side, -2 Passenger's Side (Typical). Check page 3 for Inboard/Outboard clarification.

TRAILER MOUNT
7 - 8 - 9 - 10 - 11



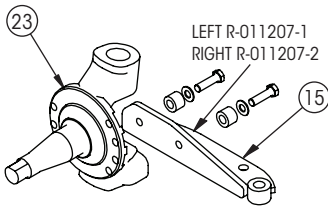
REPLACEMENT PARTS FOR AFTERMARKET SUSPENSIONS

ITEM	DESCRIPTION	YEARS OF SERVICE	SUSPENSION SERIES	TRAILER PREFIX	QTY.	PART NO.
12	CROSS MEMBER	1997 - 1997	HLUW	UW13	1	R-002948-30
		1997 - 1997	HLUB	UB13	1	R-002948-30
		1999 - 2005	HLUS2W	US2W13	1	R-002948-30
		1999 - 2005	HLUS2B	US2B13	1	R-002948-30
		2002 - 2005	UC2W	UC2W	1	R-002948-30
		2002 - 2005	UC2B	UC2B	1	R-002948-30
		2007	STW	STW13	1	R-002948-30
		2007	STB	STB13	1	R-002948-30
NOTE: 13...19 N/A						
20	QC BRAKE SHOE KIT	1997 - 1997	HLUW	UW13	2	R-001765
		1997 - 1997	HLUB	UB13	2	R-001765
		1999 - 2005	HLUS2W	US2W13	2	R-003275
		1999 - 2005	HLUS2B	US2B13	2	R-003275
		2002 - 2005	UC2W	UC2W	2	R-003275
		2002 - 2005	UC2B	UC2B	2	R-003275
		2007	STW	STW13	2	R-007442-A
		2007	STW	STW13	2	R-007442-B
		2007	STB	STB13	2	R-007442-A
		2007	STB	STB13	2	R-007442-B
21	COMPLETE BRAKE ASSEMBLY	1997 - 1997	HLUW	UW13	X	R-001724 / 25
		1997 - 1997	HLUB	UB13	X	R-001724 / 25
		1999 - 2005	HLUS2W	US2W13	X	R-003274-1/-2
		1999 - 2005	HLUS2B	US2B13	X	R-003274-1/-2
		2002 - 2005	UC2W	UC2W	X	R-003274-1/-2
		2002 - 2005	UC2B	UC2B	X	R-003274-1/-2

TRAILER MOUNT

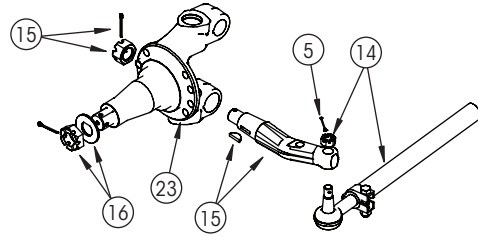
12 - 20 - 21

NOTE: -1 Driver's Side, -2 Passenger's Side (Typical). Check page 3 for Inboard/Outboard clarification.



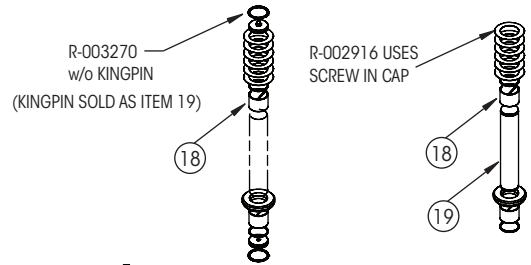
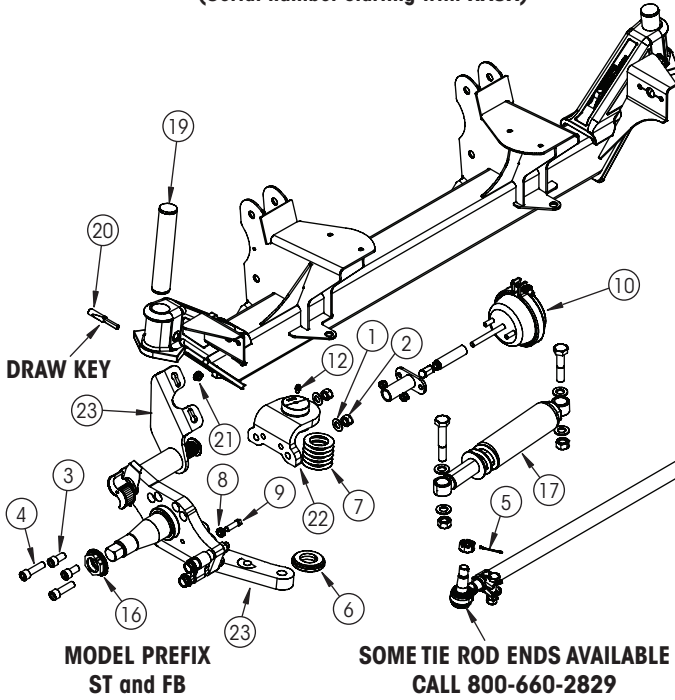
MODEL PREFIX US (After 4/99)

- Knuckle obsolete; call 800-660-2829 for replacement axle assembly
- Kingpin Kit R-002916 (Serial number starting with HAUX)

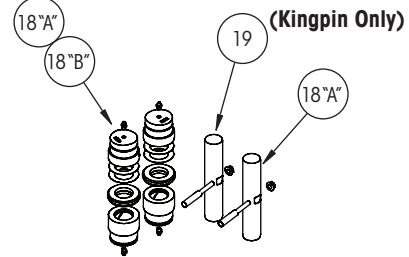


MODEL PREFIX US (Before 4/99)

- Knuckle obsolete; call 800-660-2829 for replacement axle assembly
- Kingpin Kit R-001434 (Serial number starting with 4 or 6)



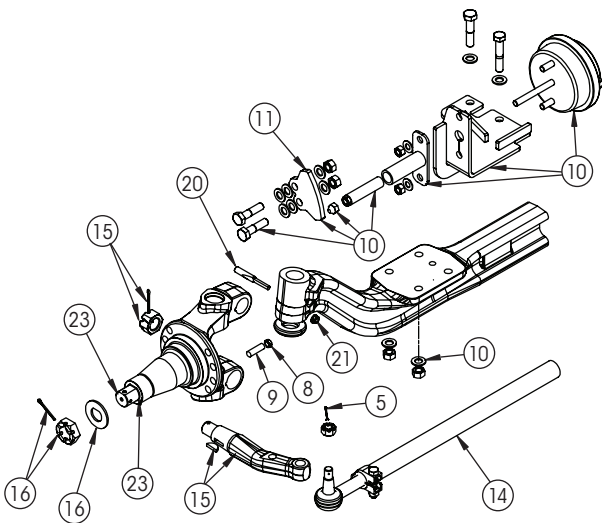
MODEL PREFIX US# and UC# # = 2, 3 or 4



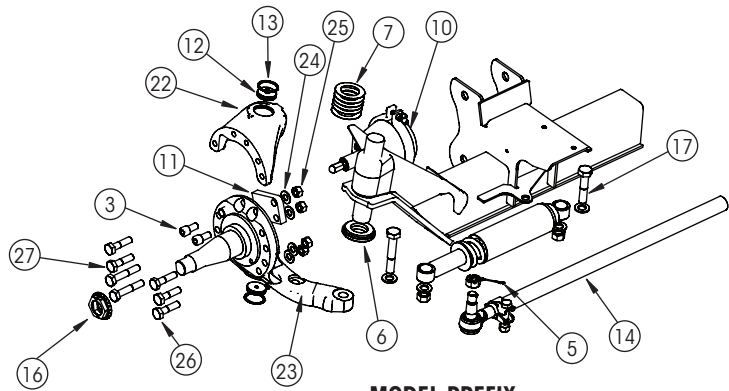
R-010300 w/ KINGPIN DRAW KEY and NUT

R-010300-1 w/out KINGPIN DRAW KEY and NUT

ST PREFIX W/FABRICATED KNUCKLE



MODEL PREFIX P_13_..., P_16_..., P_20_... and PS_20_... Kit Only (no axles)



MODEL PREFIX US# and UC# # = 2, 3 or 4

AXLE ASSEMBLIES



REPLACEMENT PARTS FOR AFTERMARKET SUSPENSIONS

ITEM	DESCRIPTION	SUSPENSION SERIES	MODEL PREFIX	QTY.	PART NO.
1	UPPER KING PIN WASHERS	ST	STT13	4	R-6212H2H
2	UPPER KING PIN NUTS	FBC	FBT08 or 10	12	R-6009CH2LC
		ST	STT13	4	R-6012CH2LC
3	BACKBONE BOLTS OR SOCKET HEAD CAP SCREWS, SHORT	HLUS2	US2T13	4	R-6110C125H4A8
		HLUR2T	US2T13	4	R-6110C125H4A8
		UCL	UCLT	4	R-6110C125H4A8
		UC2, 3, 4	UC#T	4	R-6110C125H4A8
		FBC	FBT08 or 10	6	R-6109C200H4H8
		ST	STT13	4	R-6112C225H4H8
4	BACKBONE BOLTS LONG	FBC	FBT08 or 10	6	R-6109C300H4H8
		ST	STT13	4	R-6110C225H4A8
5	TIE ROD COTTER PIN	HLU	UT13	2	R-001524-15
		HLUS	UST13	2	R-001524-15
		HLUR	URT13	2	R-001524-15
		HLUS2	US2T13	2	R-001524-15
		HLUR2T	UR2T13	2	R-001524-15
		UCL	UCLT	2	R-001524-15
		UC2, 3, 4	UC#T	2	R-001524-15
		FBC	FBT08 or 10	2	R-001524-15
		ST	STT13	2	R-001524-15
		PST20_T	PST20_T	2	R-A-14821
		PST20_W	PST20_W	2	R-011164
		PT20_-T	PT20_-T	2	R-A-14821
		PT20_-S	PT20_-S	2	R-A-14821
6	THRUST BEARING (INCLUDED WITH KINGPIN KIT)	HLU	UT13	2	R-001620
		HLUS	UST13	2	R-001620
		HLUR	URT13	2	R-001620
		HLUS2	US2T13	2	R-001620
		HLUR2T	UR2T13	2	R-001620
		UCL	UCLT	2	R-001620
		UC2, 3, 4	UC#T	2	R-001620
		FBC	FBT08 or 10	2	R-001620
		ST	STT13	2	R-001620
		PST20_T	PST20_T	2	R-005070
		PST20_W	PST20_W	2	R-011161
		PT20_-T	PT20_-T	2	R-005070
		PT20_-S	PT20_-S	X	WITH KINGPIN KIT ONLY
7	SHIMS (INCLUDED WITH KINGPIN KIT)	HLU	UT13	6	R-001764-1
		HLUS	UST13	6	R-001764-1
		HLUR	URT13	6	R-001764-1
		HLUS2	US2T13	12	R-001764-1
		HLUR2T	UR2T13	12	R-001764-1
		UCL	UCLT	12	R-001764-1
		UC2, 3, 4	UC#T	12	R-001764-1
		FBC	FBT08 or 10	4	R-001764-1
		ST	STT13	4	R-001764-1
		PST20_T	PST20_T	3ea	R-005414,15
		PST20_W	PST20_W	4	R-011170
		PT20_-T	PT20_-T	X	WITH KINGPIN KIT ONLY
		PT20_-S	PT20_-S	X	WITH KINGPIN KIT ONLY

REPLACEMENT PARTS FOR AFTERMARKET SUSPENSIONS



ITEM	DESCRIPTION	SUSPENSION SERIES	MODEL PREFIX	QTY.	PART NO.
8	TURN STOP JAM NUT	ST	STT13	2	R-6008CH2JC
		PST20_W	PST20_W	2	R-011159
9	TURN STOP SCREW	ST	STT13	2	R-6108C150H4S8
		PST20_W	PST20_W	2	R-011162
10	LOCK STRAIGHT PARTS KIT (OPTIONAL)	HLUS	UST13	1	R-002600
		HLUS2	US2T13	1	R-002600
		UC2, 3, 4	UC#T	2	R-002600
		ST	STT13	1	R-002600-2
		PST20_T	PST20_T	1	R-008233
		PST20_W	PST20_W	1	R-008922
		PT20_-T	PT20_-T	1	R-005256
		PT20_-S	PT20_-S	1	R-004012
11	LOCK STRAIGHT TARGET (OPTIONAL)	HLUS2	US2T13	2	R-003557
		UCL	UCLT	2	R-003557
		UC2, 3, 4	UC#T	2	R-003557
		ST	STT13	2	R-008495
		PST20_T	PST20_T	2	R-005156
		PST20_W	PST20_W	2	R-008711
		PT20_-T	PT20_-T	2	R-005156
		PT20_-S	PT20_-S	2	R-003029
12	KINGPIN CAP OR ZERK FITTING	HLU	UT13	4	R-001622
		HLUS	UST13	4	R-001622
		HLUR	URT13	4	R-001622
		HLUS2	US2T13	4	R-003263
		HLUR2T	UR2T13	4	R-003263
		UCL	UCLT	4	R-003263
		UC2, 3, 4	UC#T	4	R-003263
		FBC	FBT08 or 10	4	R-002804
		ST	STT13	4	R-002804
		PST20_T	PST20_T	X	WITH KINGPIN KIT ONLY
		PST20_W	PST20_W	2	R-11168
		PT20_-T	PT20_-T	X	WITH KINGPIN KIT ONLY
		PT20_-S	PT20_-S	X	WITH KINGPIN KIT ONLY
13	KINGPIN CAP RETAINING RIING	HLUS2	US2T13	4	R-003267
		HLUR2T	UR2T13	4	R-003267
		UCL	UCLT	4	R-003267
		UC2, 3, 4	UC#T	4	R-003267
14	TIE ROD ASSEMBLY	HLU	UT13	1	R-001882
		HLUS	UST13	1	* SEE NOTE
		HLUR	URT13	1	R-002890
		HLUS2	US2T13	1	R-002890
		HLUR2T	UR2T13	1	R-002890
		UCL	UCLT	1	R-002890
		UC2, 3, 4	UC#T	1	R-002890
		FBC	FBT08 or 10	1	ZERK TO ZERK = 61" — R-007220 ZERK TO ZERK = 66" — R-002890
		ST	STT13	1	R-002890
		PST20_T	PST20_T	1	R-008210
		PST20_W	PST20_W	1	R-011160
		PT20_-T	PT20_-T	1	R-005097
		PT20_-S	PT20_-S	1	R-001087

ITEM 14* HLUS /US Series, serial numbers start with HAUX KIT # R-002890 or 7 digits starting with 4##### OR 6##### R-001882. Can also be identified by knuckle style at top of page 14.

AXLE ASSEMBLIES

8-9-10-11-12-13-14



REPLACEMENT PARTS FOR AFTERMARKET SUSPENSIONS

ITEM	DESCRIPTION	SUSPENSION SERIES	MODEL PREFIX	QTY.	PART NO.	
15	TIE ROD ARM, COTTER PIN AND NUT	HLU	UT13	SEE EXPLOSION	R-011206	
		HLUS	UST13	SEE EXPLOSION	R-011206-1/-2 OLD CAST	
		HLUR	URT13	SEE EXPLOSION	R-011207-1/-2 NEWER FABRICATION	
		PST20_T	PST20_T	1 EA	R-011182-1/-2	
		PST20_W	PST20_W	1 EA	R-011182-1/-2	
		PT20_-T	PT20_-T	1 EA	R-005107-1/-2	
		PT20_-S	PT20_-S	1	R-001728 BOTH SIDES	
16	SPINDLE NUT	HLU	UT13	2	R-009818	
		HLUS	UST13	2	R-009818	
		HLUR	URT13	2	R-009818	
		HLUS2	US2T13	2	R-003269	
		HLUR2T	UR2T13	2	R-003269	
		UCL	UCLT	2	R-003269	
		UC2, 3, 4	UC#T	2	R-003269	
		FBC	FBT08	2	R-006019	
		FBC	FBT10	2	R-003269	
		ST	STT13	2	R-003269	
		PST20_T	PST20_T	2	R-005142	
		PST20_W	PST20_W	2	R-011203	
		PT20_-T	PT20_-T	2	R-005142	
		PT20_-S	PT20_-S	2	R-004797	
17	STABILIZER KIT	HLU	UT13	1	R-001777	
		HLUS	UST13	1	R-002989	
		HLUR	URT13	1	R-003273	
		HLUS2	US2T13	1	R-003273	
		HLUR2T	UR2T13	1	R-003273	
		UCL	UCLT	1	R-003273	
		UC2, 3, 4	UC#T	1	R-003273	
		FBC	FBT08 or 10	1	R-003273	
		ST	STT13 A or B	1	R-006676	
		ST	STT13	1	R-003273	
		PST20_T	PST20_T	1	R-010297	
		PST20_W	PST20_W	1	R-008357	
		PT20_-T	PT20_-T	1	R-001421	
		PT20_-S	PT20_-S	1	R-001421	
18	KINGPIN BUSHING KIT WITH KINGPIN "A" KINGPIN BUSHING KIT WITHOUT KINGPIN "B"	HLU	*** UT13	1	A R-001434 kit	B N/A
		HLUS	*** UST13	X	** SEE NOTE	N/A
		HLUR	*** URT13	1	R-002916	N/A
		HLUS2	*** US2T13	1	N/A	R-003270
		HLUR2T	*** UR2T13	1	N/A	R-003270
		UCL	*** UCLT	1	N/A	R-003270
		UC2, 3, 4	*** UC#T	1	N/A	R-003270
		FBC	FBT08 or 10	1	R-010300-2	R-010300-1
		ST	STT13	1	R-010300	R-010300-1
		PST20_T	PST20_T	1	R-005100	N/A
		PST20_W	PST20_W	1	R-011181	N/A
		PT20_-T	PT20_-T	X	R-005100	N/A
		PT20_-S	PT20_-S	X	R-005100	N/A

ITEM 18** HLUS /US Series, serial numbers start with HAUX KIT # R-002916 or 7 digits starting with 4 OR 6 KIT #R-001434. SEE EXPLOSION BEFORE AND AFTER APRIL 1999.

ITEM 18*** New replacement axles or ST with cast knuckles would use a DRAW KEY KINGPIN. Suspension prefix starting with "U" UT...UC could have a replacement axle with cast 2 piece knuckles. ST could also use the cast 2 piece knuckle. If so, use below...
(A) Kingpins and bushing kit R-006648 (B) Replacement bushing kit R-003270. Kingpin R-006303.

REPLACEMENT PARTS FOR AFTERMARKET SUSPENSIONS



ITEM	DESCRIPTION	SUSPENSION SERIES	MODEL PREFIX	QTY.	PART NO.
19	REPLACEMENT KINGPIN	HLU	UT13	1	W/R-001434 kit
		HLUS	UST13	1	W/R-002916 kit
		HLUR	URT13	1	W/R-002916
		HLUS2	US2T	2	R-003200
		HLUR2T	UR2T13	2	R-003200
		UCL	UCLT	2	R-003200
		UC2, 3, 4	UC#T	2	R-003200
		FBC	FBT08 or 10	2	R-003200
		ST	STT13	2	R-006303
		PST20_T	PST20_T	2	R-005106
		PST20_W	PST20_W	2	R-011169
		PT20_-T	PT20_-T	X	N/A
		PT20_-S	PT20_-S	X	N/A
20	DRAW KEY	HLU	UT13	2	W/R-001434 kit
		FBC	FBT08 or 10	2	R-008670
		ST	STT13	2	R-008670
		PST20_T	PST20_T	X	N/A
		PST20_W	PST20_W	2	R-011172
		PT20_-T	PT20_-T	X	N/A
		PT20_-S	PT20_-S	X	N/A
		21	DRAW KEY NUT	HLU	UT13
HLUS	UST13			X	N/A
HLUR	URT13			X	N/A
HLUS2	UR2T13			X	N/A
HLUR2T	UR2T13			X	N/A
UCL	UCLT			X	N/A
UC2, 3, 4	UC#T			X	N/A
FBC	FBT08 or 10			2	N/A
ST	STT13			2	R-6007FH4FC
PST20_T	PST20_T			X	N/A
PST20_W	PST20_W			2	R-011171
PT20_-T	PT20_-T			X	N/A
PT20_-S	PT20_-S			X	N/A
22	UPPER KINGPIN CONNECTION	HLU	UT13	X	N/A
		HLUS	UST13	X	N/A
		HLUR	URT13	X	N/A
		HLUS2	US2T13	1 EA	R-003260-1/-2
		HLUR2T	UR2T13	1 EA	R-003260-1/-2
		UCL	UCLT	1 EA	R-003260-1/-2
		UC2, 3, 4	UC#T	1 EA	R-003260-1/-2
		FBC	FBT08 or 10	1 EA	R-006011-1/-2
		ST	STT13	2 EA	R-009692
		PST20_T	PST20_T	X	N/A
		PST20_W	PST20_W	X	N/A
		PT20_-T	PT20_-T	X	N/A
		PT20_-S	PT20_-S	X	N/A

NOTE: -1 Driver's Side, -2 Passenger's Side (Typical). Check page 3 for Inboard/Outboard clarification.



REPLACEMENT PARTS FOR AFTERMARKET SUSPENSIONS

ITEM	DESCRIPTION	SUSPENSION SERIES	MODEL PREFIX	QTY.	PART NO.
23	CURRENT KNUCKLE BACKBONE OR ONE PIECE KNUCKLE	HLU	UT13	X	OBSOLETE (needs new US2 axle assy)
		HLUS	UST13	X	OBSOLETE (needs new US2 axle assy)
		HLUR	URT13	X	OBSOLETE (needs new US2 axle assy)
		HLUS2	US2T13	1 EA	R-003259-1/-2
		HLUR2T	UR2T13	1 EA	R-003259-1/-2
		UCL	UCLT	1 EA	R-003259-1/-2
		UC2, 3, 4	UC#T	1 EA	R-003259-1/-2
		FBC	FBT08	1 EA	R-006010
		FBC	FBT10	1 EA	R-006578-1/-2
		ST	STT13	1 EA	R-010563-1/-2*
		PST20_T	PST20_T	1 EA	R-005067
		PST20_W	PST20_W	1 EA	R-011158-1/-2
		PT20_-T	PT20_-T	1 EA	R-005067-1/-2
PT20_-S	PT20_-S	1 EA	R-001436/1437		
24	PREVIOUS ONE PIECE KNUCKLE	HLU	UT13	1 EA	R-001615/16 BFOR.2/17/98 (UBS)
		HLUS	UST13	1 EA	R-002174/75 BFOR. 4/14/99 (OBS)
25	BRAKE WASHERS	HLU	UT13	14	R-6210H2H
		HLUS	UST13	18	R-6210H2H
		HLUR	URT13	18	R-6210H2H
		HLUS2	US2T13	8	R-6210H2H
		HLUR2T	UR2T13	8	R-6210H2H
		UCL	UCLT	8	R-6210H2H
		UC2, 3, 4	UC#T	8	R-6210H2H
26	BRAKE NUTS	HLU	UT13	14	R-6010FH2LC
		HLUS	UST13	14	R-6010FH2LC
		HLUR	URT13	14	R-6010FH2LC
		HLUS2	US2T13	8	R-6010CH2LC
		HLUR2T	UR2T13	8	R-6010CH2LC
		UCL	UCLT	8	R-6010CH2LC
		UC2, 3, 4	UC#T	8	R-6010CH2LC
		FBC	FBT08 or 10	12	R-6014CH2LB
		ST	STT13	6	R-6010FH2LC
27	BRAKE BOLTS	HLU	UT13	14	R-6110C250H4H8
		HLUS	UST13	14	R-6110C250H4H8
		HLUR	URT13	14	R-6110C250H4H8
		HLUS2	US2T13	14	R-6110C250H4H8
		HLUR2T	UR2T13	14	R-6110C250H4H9
		UCL	UCLT	14	R-6110C250H4H10
		UC2, 3, 4	UC#T	14	R-6110C250H4H11
28	LOCK STRAIGHT BOLTS (OPTIONAL)	HLUS2	US2T13	4	R-6110C350H4H8
		HLUR2T	UR2T13	4	R-6110C350H4H9
		UCL	UCLT	4	R-6110C350H4H10
		UC2, 3, 4	UC#T	4	R-6110C350H4H11

ITEM 23* If material at knuckle arm is thicker than 1", Kit R-011754 required to replace both sides.

NOTE: Review our Tech Pubs or Installation Instructions (H633) and/or call tech services for repair assistance.

Call Hendrickson at **800.660.2829** or **800.668.5360** in Canada for additional information and application specifications.



www.hendrickson-intl.com

SPECIALTY PRODUCTS - AUXILIARY AXLE SYSTEMS

277 North High Street
Hebron, OH 43025 USA
800.660.2829
740.929.5600 • Fax 740.929.5601

Hendrickson Canada

250 Chrysler Drive, Unit #3
Brampton, ON Canada L6S 6B6
800.668.5360
905.789.1030 • Fax 905.789.1033